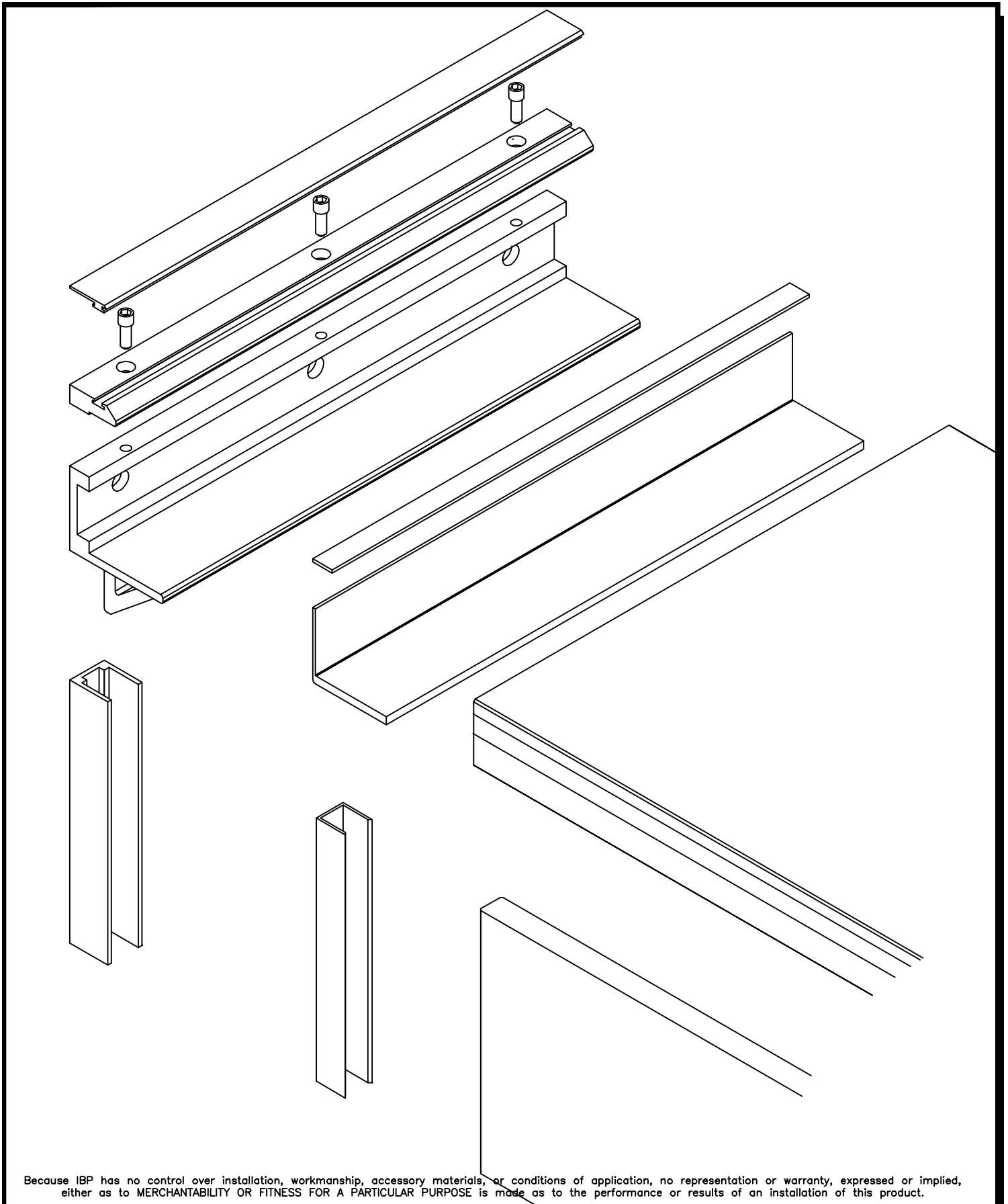


Because IBP has no control over installation, workmanship, accessory materials, or conditions of application, no representation or warranty, expressed or implied, either as to MERCHANTABILITY OR FITNESS FOR A PARTICULAR PURPOSE is made as to the performance or results of an installation of this product.

SCALE: NTS	DATE: 12/17/08
DRAWN BY: B DENISON	JOB NO.
ACAD FILE:	SHEET 1 of 1
PROJ. STAIR TREAD	

GlassWalk™
 IBP GLASS FLOOR SYSTEMS
 Innovative Building Products, Inc. • 206 Dotson St. • Denton, TX 76205
 Phone: (800) 932-2263 • Fax: (940) 387-1654



Because IBP has no control over installation, workmanship, accessory materials, or conditions of application, no representation or warranty, expressed or implied, either as to MERCHANTABILITY OR FITNESS FOR A PARTICULAR PURPOSE is made as to the performance or results of an installation of this product.

SCALE: NTS	DATE: 12/17/08
DRAWN BY: B DENISON	JOB NO.
ACAD FILE:	SHEET 1 of 1
PROJ. STAIR TREAD W/ RISER	

GlassWalk™
 IBP GLASS FLOOR SYSTEMS
 Innovative Building Products, Inc. • 206 Dotson St. • Denton, TX 76205
 Phone: (800) 932-2263 • Fax: (940) 387-1654